

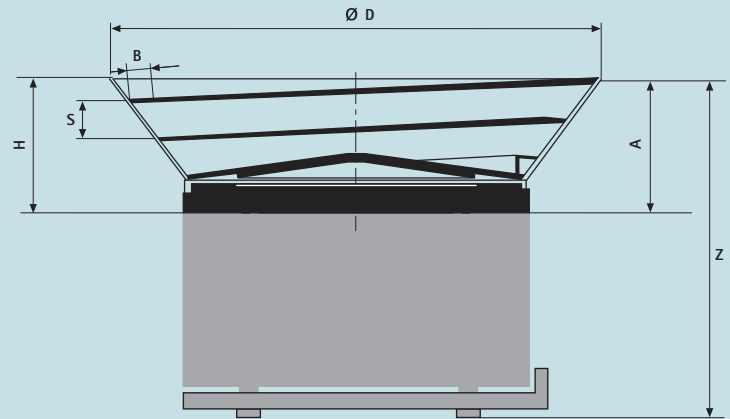
Conical Bowls

A conical bowl provides a higher capacity and with an increase in radius, assists with the pre-singulation of components.

Where necessary, the standard track width, track pitch and the amount of tracks can be adapted to suit the application.

Type RG makes pre-orientation possible through a sloping track position which prevents parts jamming between the pitch of the tracks.

The closed track type is particularly suitable for pharmaceutical applications.

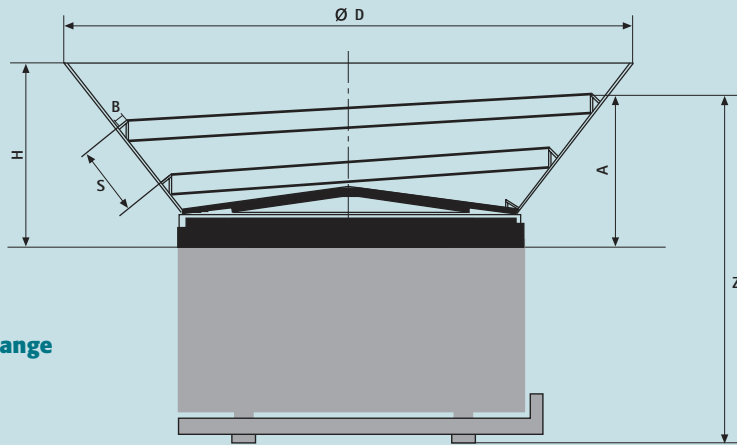


| Type | KAD-Z 63-4-30 | KAD-Z 100-4-40 | KSB-Z 200-18-55 | KSB-N 250-20-90 | KSB-ZA 250-20-105 |
|----------------------------|---------------|----------------|------------------|-----------------|-------------------|
| RG Range | | | KSB-Z 200-5RG-60 | | |
| Capacity [l]* | 0.04 | 0.15 | 0.5 | 2 | 2 |
| Material | Aluminium | Aluminium | Stainless Steel | Stainless Steel | Stainless Steel |
| A = Track discharge height | 25 | 35 | 47 | 77 | 111 |
| RG Range | | | 50 | | |
| B = Track width | 4 | 4 | 18 | 20 | 20 |
| RG Range | | | 5 | | |
| D = Bowl diameter | 69 | 99 | 265 | 403 | 415 |
| RG Range | | | 277 | | |
| H = Bowl height | 30 | 40 | 55 | 90 | 115 |
| RG Range | | | 60 | | |
| S = Track pitch | 6.5 | 11 | 25 | 32 | 32 |
| RG Range | | | 28 | | |
| Bowl weight | 0.11 | 0.34 | 1.46 1.7 | 3.85 | 8.2 |
| Fixing | central | central | central | radial | central |
| Bottom (see page 13) | integral | integral | welded | required | welded |
| Suitable drive unit | SRC-N 63 | SRC-N 100 | SRC-N 200 | SRC-N 250 | SRC-N 250 |
| (see also page 14) | | | | | |
| Z = Total discharge height | 90 | 117 | 235 | 322 | 356 |
| RG Range | | | 238 | | |
| Suitable base plate | - | - | SRG-N 200 | SRG-N 250 | SRG-N 250 |
| (see also page 19) | | | | | |

* Larger capacities available, dependent on application and components



Conical Bowls



RG Range



Please advise feed direction when ordering (see also page 5).

| KSB-ZA 250-20-150 | KSB-N 400-50-160 | KSB-BA 400-50-175 | KSB-Z2A 400-50-190 | KSB-N 630-50-180 | KSB-BA 630-50-190 | KSB-B 800-80-170 |
|--------------------|----------------------|----------------------|----------------------|---------------------|-------------------|------------------|
| KSB-ZA 250-8RG-150 | KSB-BA 400-15RG-220 | | KSB-Z2A 400-15RG-235 | KSB-BA 630-15RG-250 | | |
| 2 | 10 | 10 | 10 | 20 | 20 | 25 |
| Stainless Steel | Stainless Steel | Stainless Steel | Stainless Steel | Stainless Steel | Stainless Steel | Stainless Steel |
| 135 | 153 | 166 | 180 | 172 | 167 | 148 |
| 138 | | 169 | 185 | | 149 | |
| 20 | 50 | 50 | 50 | 50 | 50 | 80 |
| 8 | | 15 | 15 | | 15 | |
| 476 | 670 | 670 | 670 | 898 | 898 | 1200 |
| 478 | | 745 | 745 | | 980 | |
| 150 | 160 | 175 | 190 | 180 | 190 | 170 |
| - | | 220 | 235 | | 250 | |
| 32 | 68 | 68 | 68 | 70 | 70 | 64 |
| 40 | | 71 | 71 | | 81 | |
| 9.2 | 12.9 | 13.6 | 19.4 | 19 | 21.5 | 35 |
| 10.8 | | 16 | 23.2 | | 27 | |
| central | radial | radial | central | radial | radial | radial |
| welded | required | welded | welded | required | welded | welded |
| SRC-N 250 | SRC-N 400 | SRC-N 400 | SRC-N 400 | SRC-N 630 | SRC-N 630 | SRC-N 800 |
| | SRHL 400 | SRHL 400 | SRHL 400 | | | |
| 380 | 413(SRC-N) 434(SRHL) | 426(SRC-N) 429(SRHL) | 440(SRC-N) 445(SRHL) | 431 | 426 | 463 |
| 383 | | 447(SRC-N) 450(SRHL) | | | 408 | |
| SRG-N 250 | SRG-N 400 | SRG-N 400 | SRG-N 400 | SRG-N 630 | SRG-N 630 | - |

The measurements mentioned above are valid for standard equipment only without tooled devices.
Subject to manufacturing tolerances.

